

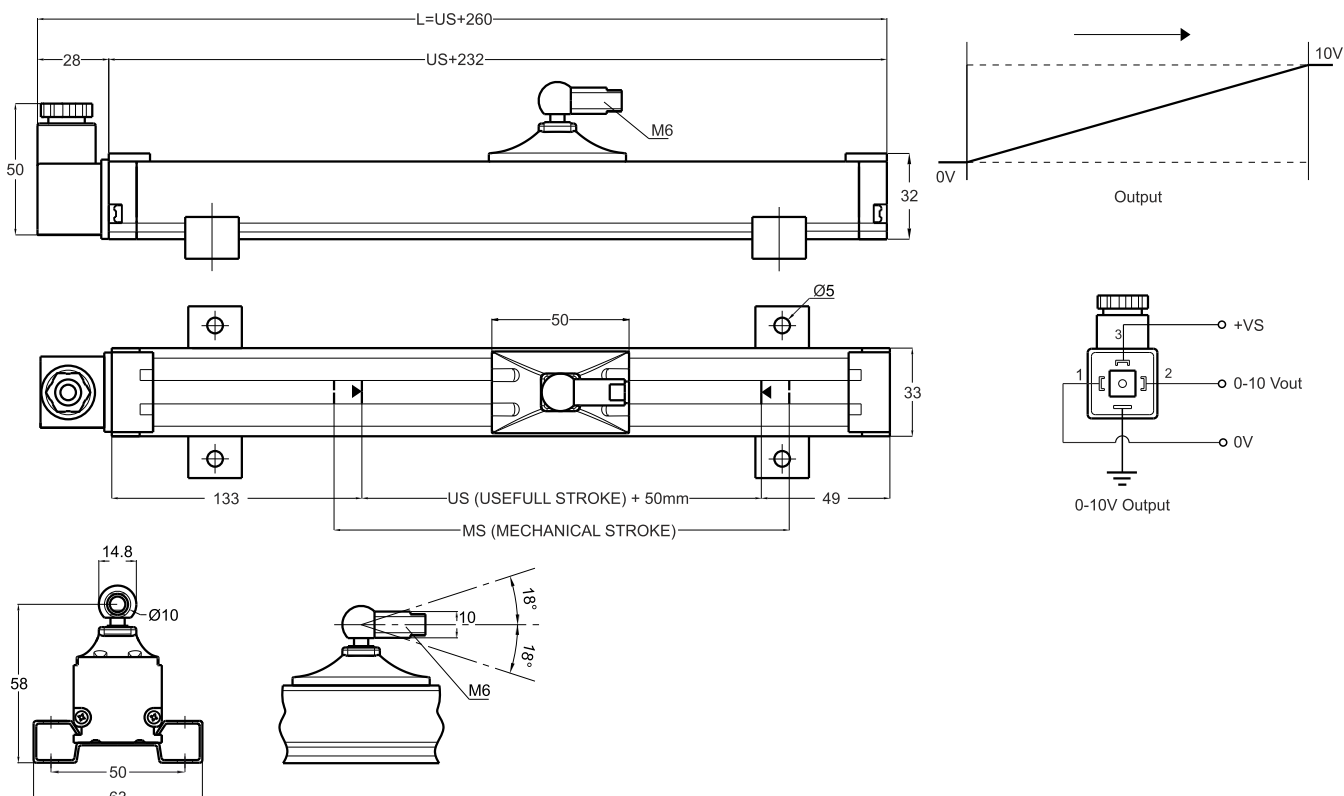
Magnetostrictive position sensors

- Measuring range 100 - 1250 mm
- 16 bit resolution
- Output 0-10V
- 24 VDC power supply



Technical specifications

Measurement stroke	100 to 1250 mm
Resolution	16 bit
Repeatability	< 0.05 mm
Output	0-10V
Power supply	24 VDC ±10%
Permissible applied voltage	30 VDC max.
Displacement speed	< 10 m/s
Sampling rate	1 KHz
Max. consumption	50mA
Max. output noise	< 5mVpp
Max. output value	10.5 Volt
Reverse polarity protection	Yes



MSH (mm)	100	200	300	400	500	600	700	800	900	1000	1250
US (Usefull Stroke)	100	200	300	400	500	600	700	800	900	1000	1250
MS (Mechanical Stroke)	120	220	320	420	520	620	720	820	920	1020	1270
L (Total Length)	360	460	560	660	760	860	960	1060	1160	1260	1510

Model	Measurement stroke	Resolution	Output	Connector / Cable
(example) MSH	300	A	V10	C1
MSH	100 ... 1250mm	A : 16 bit	V10 : 0-10V	C1 : 4 pin connector