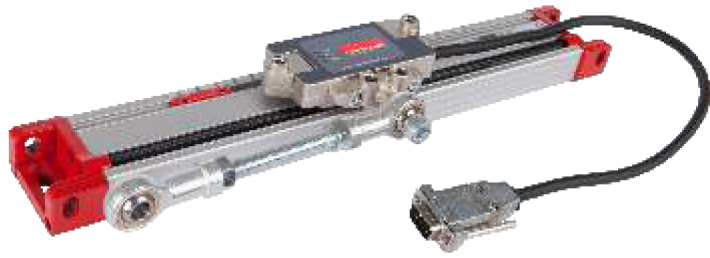


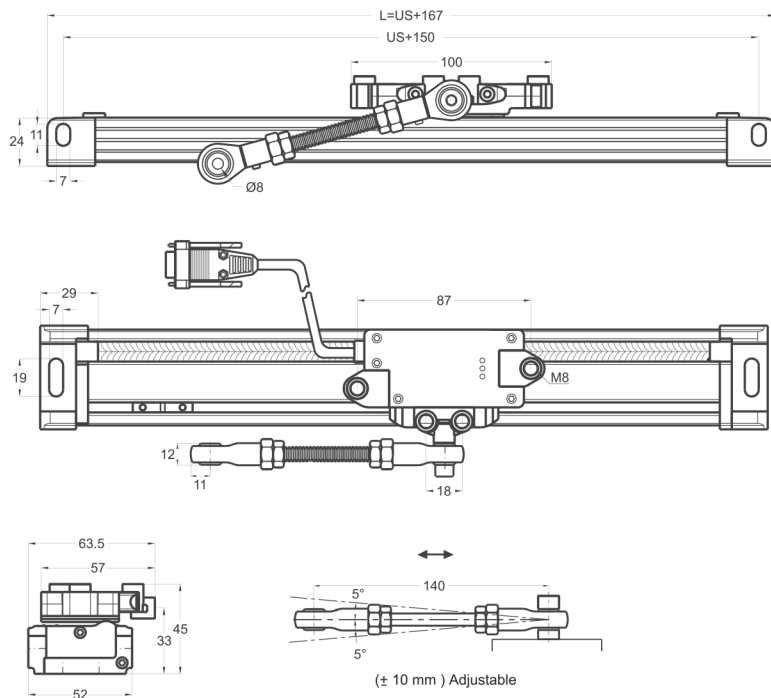
Magnetic Linear Incremental Encoder For Press Brake / Advanced Design

- 5 µm resolution (4x mode) as standard.
- Other resolutions optional
- Measuring range 150 - 2000 mm
- Adjustable reference
- LED status indicators
- Full symmetrical
- Protective steel cover for measurement tape
- High precision bearings for smooth movement
- ± 15 µm accuracy

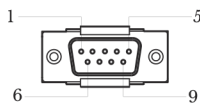


Technical Specifications

| | |
|----------------------------------|--|
| Type of measurement | Magnetic incremental non-contact |
| Measurement stroke | 150 to 2000 mm |
| Resolution | Standard: 5 µm (4x mode), Optional: 2,5 / 5 / 10 / 12,5 / 20 / 25 µm (4x mode) |
| Repeatability | ± 5 µm |
| Accuracy | ± 15 µm |
| Output channels | A, \bar{A} , B, \bar{B} , Z, \bar{Z} |
| Output type | TTL Linedriver (standard), Push-Pull / HLD Linedriver (optional) |
| Supply voltage | 5 VDC (standard), 8 - 24 VDC (optional) |
| Power consumption (without load) | < 40 mA (24 VDC) |
| Electrical connections | DB9 connector with 1 m cable |
| Max. speed | < 3 m/s |
| Case material | Anodized aluminium |
| IP degree | IP 65 |
| Operating temperature | -20°C ... +80°C |
| Storage temperature | -30°C ... +90°C |



PIN CONFIGURATION



Cable output

- V+ : Brown
- 0V : Blue
- A : Black
- B : White
- Z : Orange
- A inv. : Yellow
- B inv. : Green
- Z inv. : Red
- GND : Earth

9G Type Electrical Connection

- Pin 1 : Ch A
- Pin 2 : Ch A inv.
- Pin 3 : Ch Z
- Pin 4 : Ch B
- Pin 5 : Ch B inv.
- Pin 6 : Ch Z inv.
- Pin 7 : +V
- Pin 8 : GND
- Pin 9 : Earth

9H Type Electrical Connection

- Pin 1 : Ch Z
- Pin 2 : Ch B
- Pin 3 : Ch A
- Pin 4 : NC
- Pin 5 : GND
- Pin 6 : Ch Z inv.
- Pin 7 : Ch B inv.
- Pin 8 : Ch A inv.
- Pin 9 : +V

| | | | | | | | | | | | | | | | | | | | | | | | | |
|------------------------|-------|-------|-------|-------|-------|-------|-------|-------|-------|-------|-------|-------|-------|-------|-------|-------|--------|--------|--------|--------|--------|--------|--------|--------|
| MPS (mm) | 150 | 170 | 220 | 270 | 320 | 370 | 420 | 470 | 520 | 570 | 620 | 670 | 720 | 820 | 870 | 920 | 1000 | 1100 | 1200 | 1300 | 1400 | 1500 | 1750 | 2000 |
| US (Usefull Stroke) | 150 | 170 | 220 | 270 | 320 | 370 | 420 | 470 | 520 | 570 | 620 | 670 | 720 | 820 | 870 | 920 | 1000 | 1100 | 1200 | 1300 | 1400 | 1500 | 1750 | 2000 |
| MS (Mechanical Stroke) | 178.5 | 198.5 | 248.5 | 298.5 | 348.5 | 398.5 | 448.5 | 498.5 | 548.5 | 598.5 | 648.5 | 698.5 | 748.5 | 848.5 | 898.5 | 951.5 | 1028.5 | 1128.5 | 1228.5 | 1328.5 | 1428.5 | 1528.5 | 1778.5 | 2028.5 |
| L (Total Length) | 317 | 337 | 387 | 437 | 487 | 537 | 587 | 637 | 687 | 737 | 787 | 837 | 887 | 987 | 1037 | 1087 | 1167 | 1267 | 1367 | 1467 | 1567 | 1667 | 1917 | 2167 |

| Model | Pole pitch | Measurement Stroke | Resolution | Output Type | Reference Output | Supply Voltage | Connector / Cable |
|---------------|--|--------------------|---|---|---|---------------------------|--|
| (example) MPS | B5 | 270 | T20 | LD | 4Z | V1 | 9G |
| MPS | B2: 2mm pole pitch B5: 5mm pole pitch | 150 ... 2000 mm | T10 : 2,5 µm T20 : 5 µm T40 : 10 µm T50 : 12,5µm T80 : 20 µm T100: 25 µm | LD : TTL Linedriver LTP : Push-Pull HLD: HTL Linedriver | 4Z: Adjustable reference 5Z: Continous reference | V1: 5 VDC V2: 8-24 VDC | 9G: G type electrical connections with 1 meter cable 9H: H type electrical connections with 1 meter cable |

Linear Potentiometers
Slim Body Series
Linear Potentiometers
Conditioner Circuit
Magnetostrictive Position
Sensors
Magnetic Linear
Incremental Encoders
Draw Wire
Potentiometers/Encoders
Optic Rotary Absolute
Encoders
Magnetic Rotary
Encoders
Optic Rotary Incremental
Encoders