

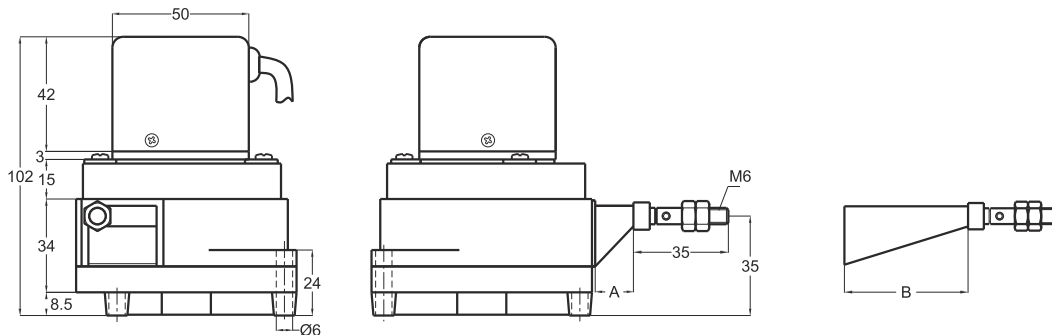
Draw wire encoders

- Measuring strokes 500 - 1000 - 1500 - 2000 - 2500 - 3000 - 3500 mm
- Incremental 50 µm / 25 µm resolution
- Push-pull, TTL Linedriver or HTL Linedriver
- Easy mounting
- High protection degree



Technical Specifications

Type of Measurement	Optical
Resolution	0,2 mm/pulse
Measurement Stroke	500 - 1000 - 1500 - 2000 - 2500, 3000 - 3500 mm
Output Signal	A,B,Z or A,Ā, B,Ā, Z,Z̄
Output Signal Type	Push-pull, TTL Linedriver or HTL Linedriver
Supply Voltage	8-24 VDC, 5 VDC or 5-30 VDC
Power Consumption (without load)	< 40 mA (24 VDC)
Electrical Connections	2.5m Cable (Standard)
IP Degree	IP 54
Case Material	Aluminium / Steel / ABS Plastic
Operating Temperature	-20°C ... +80°C
Storage Temperature	-30°C ... +90°C



	Measurement Stroke	
A	14 mm	2500 mm
B	50 mm	From 2500 up to 3500 mm

Push-pull Cable Output

- +V : Brown
- 0V : White
- GND : Shield
- Ch A : Yellow
- Ch B : Green
- Ch Z : Gray

TTL - HTL Linedriver Cable Output

- +V : Brown
- 0V : White
- GND : Shield
- Ch A : Yellow
- Ch B : Green
- Ch Z : Gray
- Ch A inv. : Blue
- Ch B inv. : Red
- Ch Z inv. : Pink

Model	Measurement Stroke	Output	Resolution	Output Signal	Connector / Cable	Cable Output
(example) DWE	1500	LTP	P2000	Z	2M5	R
DWE	500 mm 1000 mm 1500 mm 2000 mm 2500 mm 3000 mm	LTP : Pushpull TTL : TTL Linedriver HTL : High Linedriver	P2000 : 0,1mm/puls P1000 : 0,2mm/puls P500 : 0,4mm/puls	Z : A, B, Z B : A, B	2M5 : 2.5 meter cable 5M : 5 meter cable 8M : 8 meter cable 10M : 10 meter cable	R : Radial A : Axial