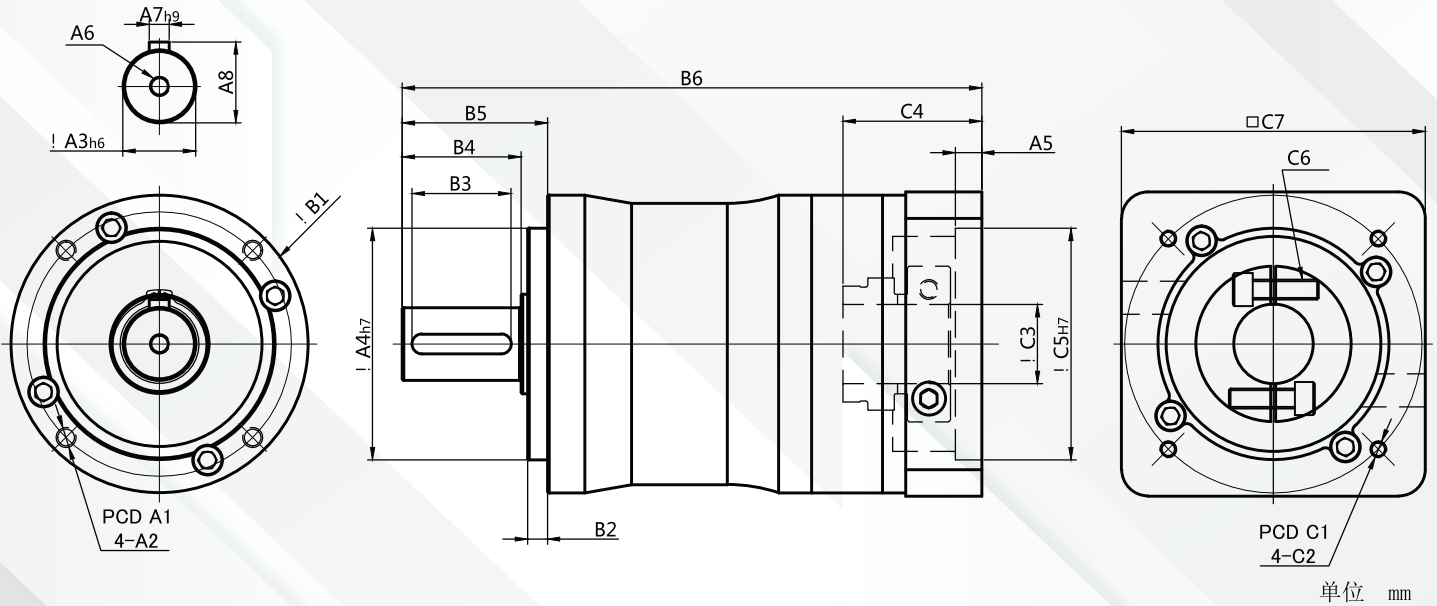


精密行星减速机
PRECISION PLANETARY REDUCERS
MODEL:EVG



HITECH



尺寸/型号	EVG70A	EVG90A	EVG120A	EVG145A	
A	A1	60	80	105	130
	A2	M5*P0.8	M6*P1.0	M8*P1.25	M10*P1.5
	A3	16	22	32	40
	A4	50	70	90	110
	A5	6	8	8, 21	8
	A6	M5*P0.8	M6*P1.0	M10*P1.5	M16*P2
	A7	5	6	10	12
	A8	18	24.5	35	43
B	B1	! 70	! 93	! 120	! 150
	B2	3	6	8	5
	B3	25	30	40	70
	B4	31	36	50	82
	B5	35	44	60	90
	B6	112, 122.5	152.5, 167.5	204	250, 256.5
C	C1	70, 75, 90	90, 100, 115, 145	115, 145, 165	145, 165, 215
	C2	M4	M5	M6	M8
		M5	M6	M8	M10
		M6	M8	M10	M12
	C3	11, 14	16, 19, 22, 24	24, 28, 32	28, 32, 35, 38
	C4	31.5, 42	42, 57	60	62.5, 69
	C5	40, 50, 60	70, 80, 95, 110	95, 110, 130	110, 130, 180
	C6	M5*P0.8	M6*P1.0	M8*P1.0	M10*P1.0
	C7	64, 70, 80	92, 110, 130	122, 130, 150	145, 150, 190

Characteristic of EVG



HITECH

规格 Model No.	代号	单位Unit	速比 Ratio	EVG70A	EVG90A	EVG120A	EVG145A
额定输出扭矩/Rated Output Torque (Nominal output torque)	T2N	Nm	3	16.5	63.0	155.0	310.0
			5	28.0	100.0	245.0	500.0
			7	20.0	68.0	165.0	340.0
			10	12.5	43.0	95.0	195.0
			15	33.5	120.0	290.0	600.0
			20	31.5	110.0	275.0	550.0
			25	33.5	120.0	290.0	600.0
			40	31.5	110.0	275.0	550.0
			50	33.5	120.0	290.0	600.0
			70	24.0	81.0	195.0	400.0
背隙/Backlash	-	arcmin	-	<8	<8	<8	<8
			-	<12	<12	<12	<12
			-	<14	<14	<14	<14
容许径向力/Max. Radial Force	F2rB	N	-	400	1050	2200	3650
			-	500	1300	2600	4650
			-	800	1500	2900	5400
容许轴向力/Max. Axial Force	F2aB	N	-	300	850	1600	2000
			-	390	1100	2100	2700
			-	700	1300	2600	5500
润 滑/Lubrication	JL	%	-	94%			
			-	92%			
			-	88%			
扭转刚性/Torsional Rigidity	-	Nm/arcmin	-	3.2	8.5	17.5	37.5
额定输入转速/Rated Input Speed	n1N	rpm	-	3000	3500	3000	2500
最大输入转速/Max. Input Speed	n1N	rpm	-	7000	6000	5000	4200
噪音值/Noise Level	-	dB	-	≤58	≤60	≤62	≤65
使用寿命/Service Life	LH	hr	寿命是在额定负载下，连续运转的时间；				
使用温度/Operating Temperature	-	℃	(-25℃~+90℃)				
防护等级/Protection Class	-	IP	IP65				
安装方向/Mounting Position	-	-	任意/Any				
最大输出扭矩/Max. Output Torque 急停扭矩/Emergency Stop Torque	T2NOT	Nm	— 2倍额定输出扭矩/2* Nominal torque				

Mass Moments of Inertia(kg. m²)

速比Ratio	70	90	120	145
3	0.16	0.61	3.25	12.31
4	0.14	0.48	2.74	7.54
5	0.13	0.47	2.71	7.42
7	0.13	0.47	2.62	7.25
10	0.13	0.44	2.57	7.14
15	0.12	0.43	1.75	7.74
20	0.075	0.44	1.5	6.65
25	0.075	0.44	1.49	5.81
40	0.064	0.39	1.3	4.08
50	0.064	0.39	1.3	4.08
70	0.075	0.44	1.49	7.4
100	0.064	0.44	1.45	7.3