

简介 INTRODUCTION:

CDF、SDF系列三相异步电动机是我司在Y2系列基础上专为欧美市场设计的新款电机。其功率等级、安装尺寸与Y2系列完全相同，效率达到欧洲EFF2标准，并可按要求达到EFF1标准。采用F级绝缘，防护等级IP55，带PTC热敏电阻，使用SKF或NSK、NTN轴承，160及以上带注油嘴结构。

Adopting the national uniform design, Y2 series three-phase induction motors are in conformity with IEC 34-1 and JB/T8680 standards, also up to the international advanced level of the 90's. As the substitute of Y series induction motors, it possesses sophisticated features such as new construction, good appearance, slight vibration, low noise etc. CDF, SDF series three phase motors are newly designed by our company for the European and American markets on the basis of Y2 series. Its rated power and mounting sizes are quite same as Y2 series. The efficiency of CDF and SDF can meets standards of EFF2 and EFF1. The motors are adopted in class F (Temperature rise B) insulation and IP55 protection. Motors can be equipped with PTC, as well as re-greasing system for frame size 160 and above, bearings of SKF, NSK or NTN at optional.

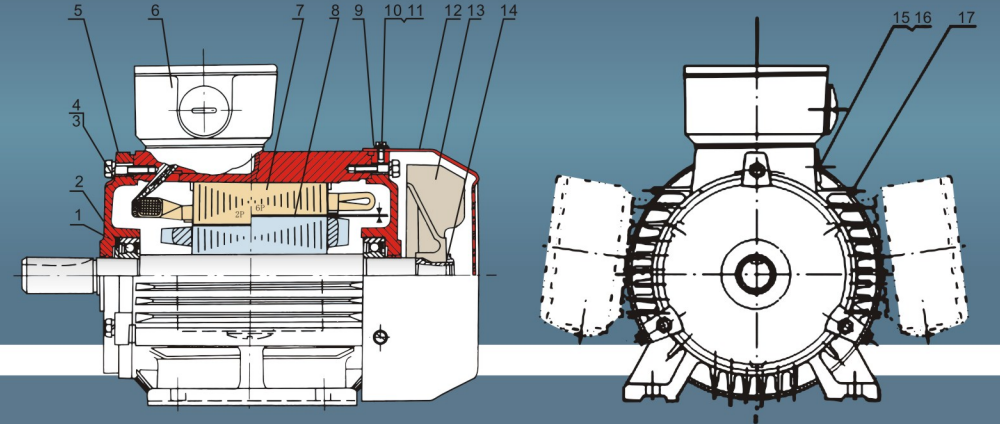
使用条件 OPERATING CONDITIONS

环境温度: $-15^{\circ}\text{C} < q < 40^{\circ}\text{C}$ 海拔: 不超过1000m
 额定电压: 380V、可选220-760V之间任何电压值。
 额定频率: 50Hz、60Hz 防护等级: IP54、IP55 绝缘等级: F级、H级
 冷却方式: IC 411 工作方式: 连续S1
 接法: 3kW及以下Y接法, 4kW及以上为 Δ 接法。
 其它: 可任意选择左、右、顶部出线方式和开口槽、闭口槽结构, 可附带PTC热敏电阻, 160及以上可带注油嘴结构。

Ambient temperature: $-15^{\circ}\text{C} < q < 40^{\circ}\text{C}$ Altitude: not exceed 1000m
 Rated voltage: 380V or any voltage between 220V-760V.
 Rated frequency: 50Hz, 60Hz Protection class: IP54, IP55
 Insulation class: F, H Cooling method: IC 411 Duty: S1(continuous)
 Connection: Star-connection for up to 3kW, delta-connection for 4kW and above
 Remark: Terminal box on top, right or left side are available. Key-way can be closed type or open type. Motors can also be equipped with PTC, as well as re-greasing system for frame size 160 and above.

CDF

SDF 系列三相异步电动机
SERIES THREE-PHASE ASYNCHRONOUS
INDUCTION MOTOR



MATERIAL TABLE

	Description		Description		Description		Description
1	轴承 Bearing	6	接线盒 Terminal Box	11	垫圈 Washer	16	铆钉 Rivet
2	波形垫圈 Wave-form washer	7	定子 Stator pack with winding	12	风罩 Fan cowl	17	机座 Frame
3	螺栓 Bolt	8	转子 Rotor	13	风扇 Fan	18	
4	弹簧垫圈 Spring washer	9	后前盖 NDE shield	14	挡圈 Circlip	19	
5	前端盖 DE shield	10	螺钉 Screw	15	铭牌 Nameplate	20	

轴承规格 BEARING SIZE

机座号 Frame size	极数 Poles	CDF系列轴承 CDF Series Bearing		SDF系列轴承 SDF Series Bearing	
		轴伸端 Drive End	非轴伸端 Non-Drive End	轴伸端 Drive End	非轴伸端 Non-Drive End
63	2~4	6201	6201	6201	6201
71	2~6	6202	6202	6202	6202
80	2~8	6204	6204	6204	6204
90	2~8	6205	6205	6205	6205
100	2~8	6206	6206	6206	6206
112	2~8	6206	6206	6206	6206
132	2~8	6208	6208	6208	6208
160	2~8	6309	6309	6309	6309
180	2	6211	6211	6211	6211
	4~8	6311	6211	6311	6211
200	2	6212	6212	6212	6212
	4~8	6312	6212	6312	6212
225	2	6312	6312	6312	6312
	4~8	6313	6313	6313	6313
250	2	6313	6313	6313	6313
	4~8	6314	6314	6314	6314
280	2	6314	6314	6314	6314
	4~8	6317	6314	6317	6314
315	2	6317	6317	6317	6317
	4~10	6319	6319	6319	6319
355	2	6319	6319	6319	6319
	4~10	Nu322	6322	Nu322	6322



SDF



CDF

